

DUAL SLIDE WALL CONTROL INSTALLATION INSTRUCTIONS

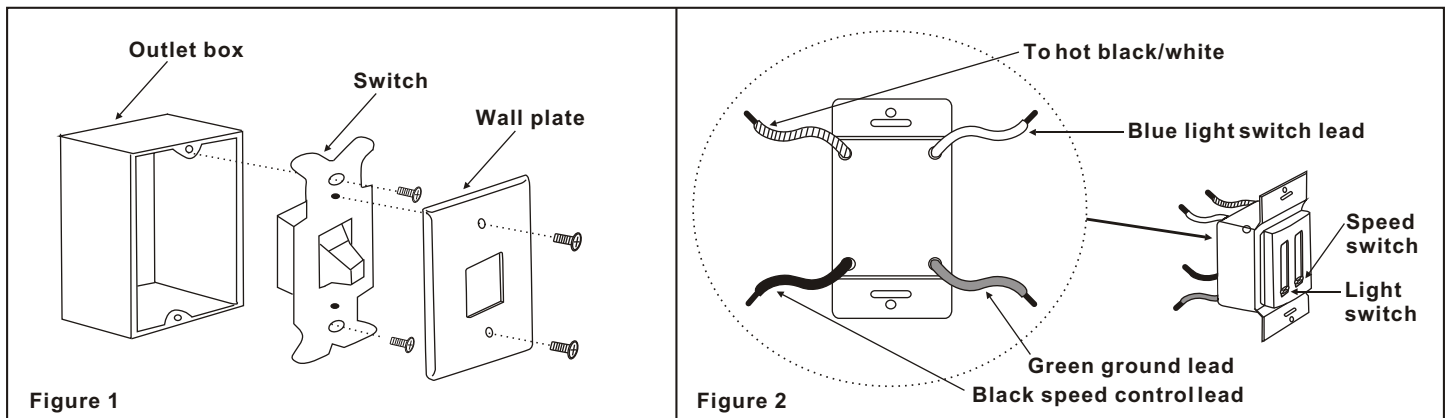
IMPORTANT: READ THESE INSTRUCTIONS CAREFULLY BEFORE ATTEMPTING TO INSTALL

WARNING

To avoid fire, shock and serious personal injury, follow these instructions:

1. Read your owner's manual carefully, retain owner's manual for future reference.
2. To avoid possible electrical shock, be sure electricity is turned off at the fuse box or circuit breaker panel before wiring.
3. This switch is designed for ceiling fan and light kit only, to avoid overheating and possible damage to other equipment, do not install to control receptacle, fluorescent lighting fixture, motor-operated appliance, transformer-supplied appliance or near heat source.
4. All wiring must conform to national and local electrical codes. If you feel you do not have enough electrical knowledge, have a licensed electrician install the control.
5. The amperage for your fan should not exceed 1.25A. The total wattage for the lights 500W.

INSTALLATION OF THE CONTROL REQUIRES THAT A THREE-CONDUCTOR CABLE WITH GROUND WIRE BE RUN BETWEEN THE CONTROL WALL BOX AND THE CEILING FAN



1. Disconnect the power and remove the existing wall plate and switch (Figure 1)
 2. Set all knobs on the dual slide wall control in the off position (Figure 2).
 3. Make wire connections (Figure 2) and secure with wire nuts supplied.
 - Black wire from fan to black wire from speed control
 - White wire from fan to white wire from the A/C supply source.
 - Blue wire from fan to blue wire from light control.
 - Black/White wire from speed control to black wire from the A/C supply source.
 4. If your outlet box has a ground wire (green or bare copper) connect the wall transmitter's ground wire to it; otherwise connect the wall transmitter's ground wire directly to one of the screws from the outlet box.
- Refer to schematic "A" or "B", depending upon the location of you A/C supply source (Figure 3)

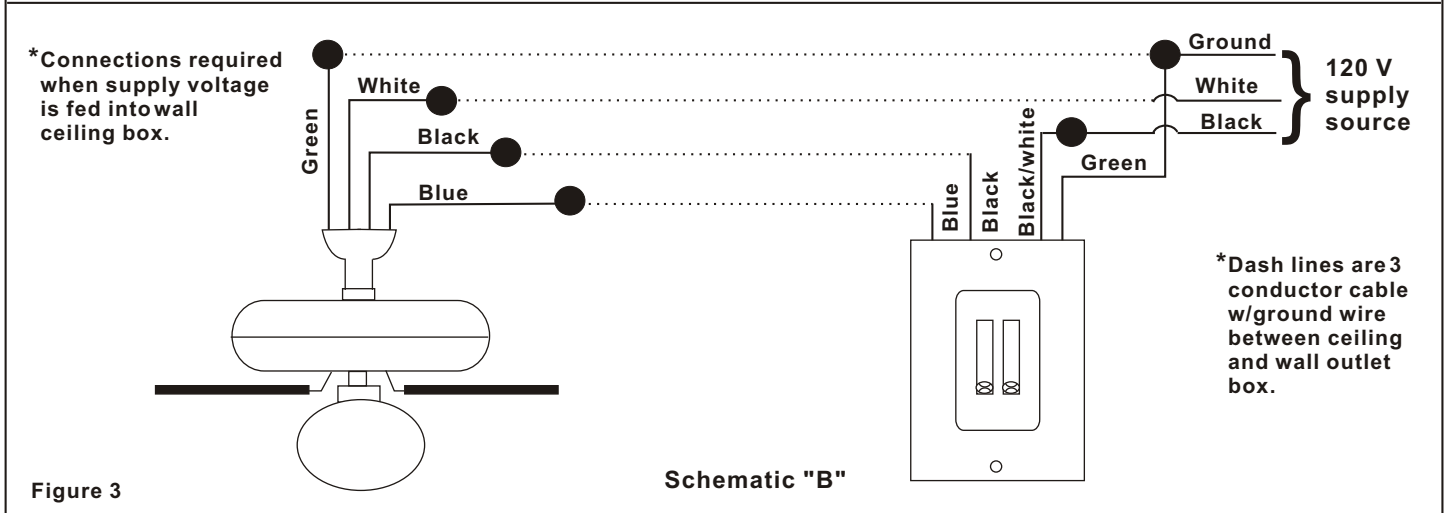
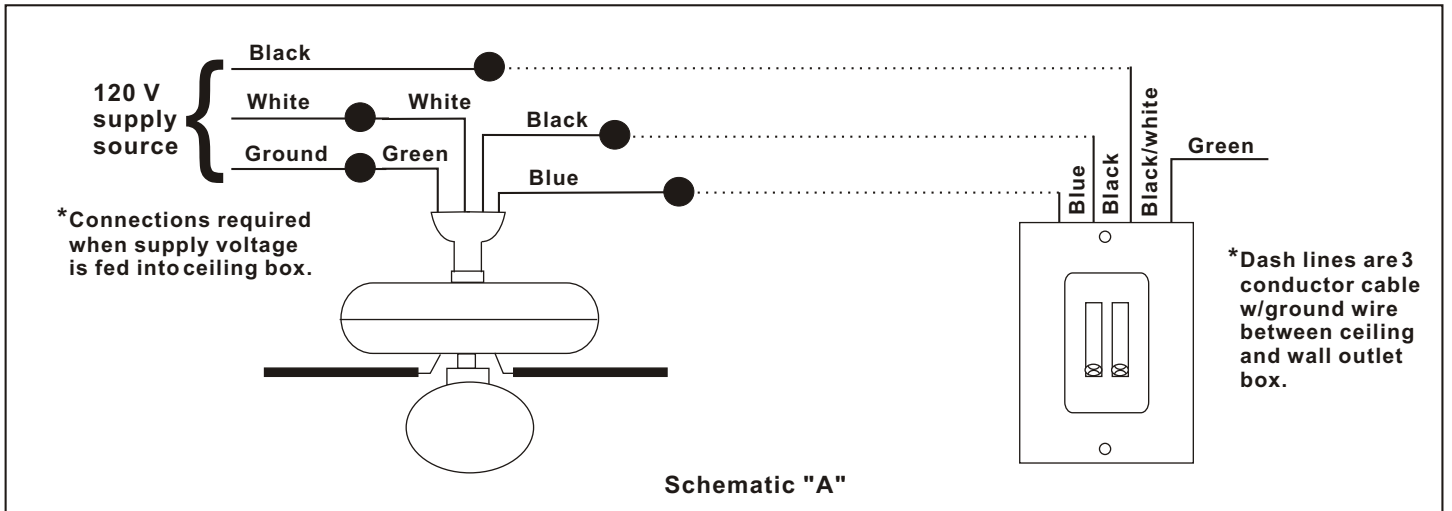
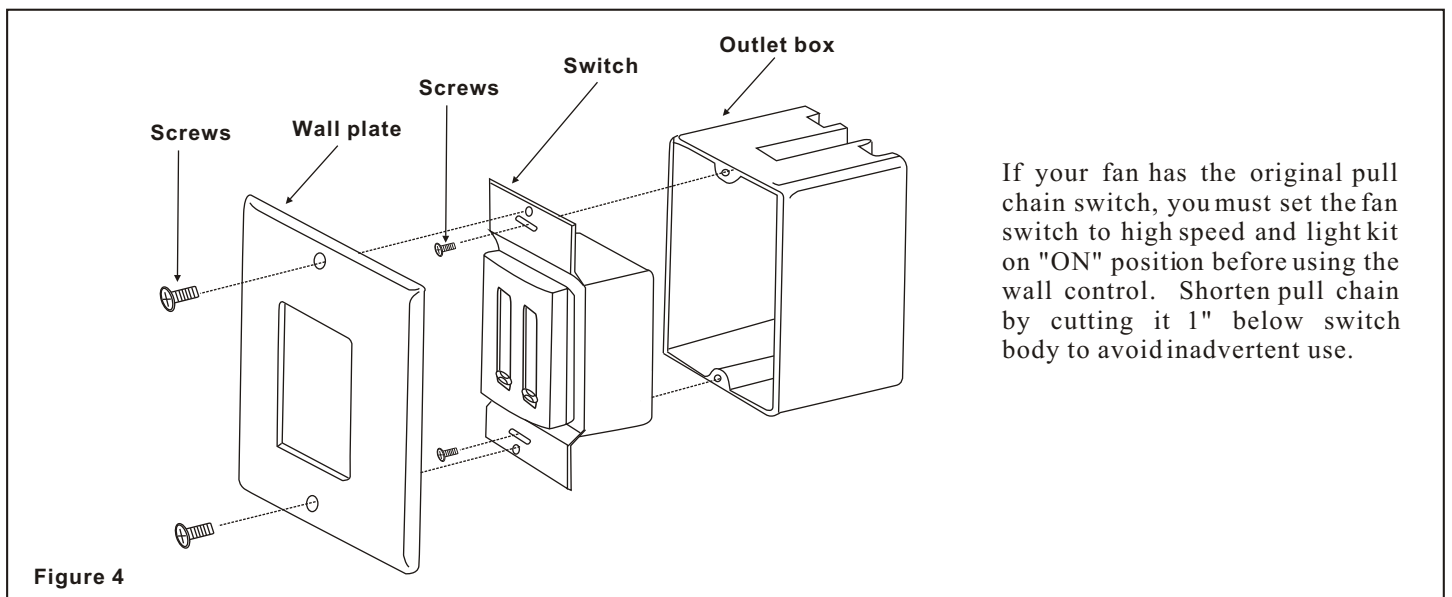


Figure 3

4. Attach the Speed/Light control to the outlet (wall) box and secure with 2 outlet box screws (Figure 4).
5. Attach the wall plate over the wall transmitter and secure with the two screws provided (Figure 4).



2002 Hampton Bay Fan & Lighting Company
 2455 Paces Ferry Road
 Atlanta, GA 30339
 All Rights Reserved
 TOLL FREE: 877-898-1881