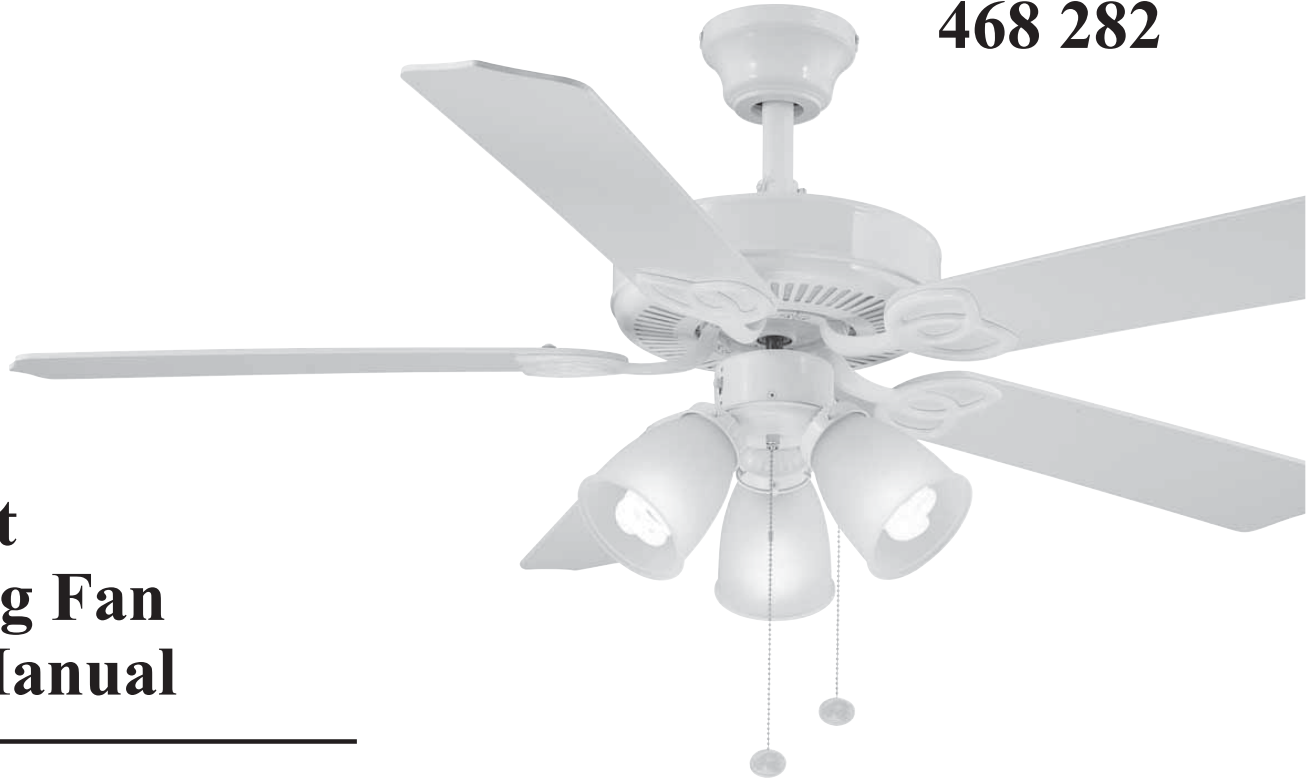


**468 282**



**Brookhurst  
52 in Ceiling Fan  
Owner's Manual**

---

**Brookhurst  
Ventilador de Techo de 1,32 m  
Manual del Propietario**



# 15-Year Motor Warranty

The retailer warrants the fan motor to be free from defects in workmanship and material present at time of shipment from the factory for a lifetime after the date of purchase by the original purchaser. The retailer also warrants that all other fan parts, excluding any glass or plexiglass blades, to be free from defects in workmanship and material at the time of shipment from the factory for a period of one year after the date of purchase by the original purchaser. We agree to correct such defects without charge or at our option replace with a comparable or superior model if the product is returned to the retailer. To obtain warranty service, you must present a copy of the receipt as proof of purchase. All costs of removing and reinstalling the product are your responsibility. Damage to any part such as by accident or misuse or improper installation or by affixing any accessories, is not covered by this warranty. Because of varying climatic conditions in the United States this warranty does not cover any changes in brass finish, including rusting, pitting, corroding, tarnishing or peeling. Brass finishes of this type give their longest useful life when protected from varying weather conditions. A certain amount of wobble is normal and should not be considered a defect. Servicing performed by unauthorized persons shall render the warranty invalid. There is no other express warranty. The retailer hereby disclaims any and all warranties, including but not limited to. Those of merchantability and fitness for a particular purpose to the extent permitted by law. The duration of any implied warranty which cannot be disclaimed is limited to the time period as specified in the express warranty. Some states do not allow limitation on how long an implied warranty lasts, so the above limitation may not apply to you. The retailer shall not be liable for incidental, consequential, or special damages arising out of or in connection with product use or performance except as may otherwise be accorded by law. Some states do not allow the exclusion of incidental or consequential damages, so the above exclusion or limitation may not apply to you. This warranty gives specific legal rights, and you may also have other rights which vary from state to state. This warranty supersedes all prior warranties.

Date Purchased \_\_\_\_\_

Store Purchased \_\_\_\_\_

Model Number \_\_\_\_\_ 468-282

Serial No. \_\_\_\_\_

Vendor No. \_\_\_\_\_ 11289

UPC \_\_\_\_\_ 792145353393

*15-Year Motor Warranty*

Safety Rules..... 1.  
Unpacking Your Fan ..... 2.  
Installing Your Fan ..... 3.  
Installing the Light Kit..... 9.  
Operating Your Fan..... 10.  
Care of Your Fan ..... 11.  
Troubleshooting ..... 12.  
Specifications ..... 13.

*Table of Contents*

1. To reduce the risk of electric shock, insure electricity has been turned off at the circuit breaker or fuse box before beginning.
2. All wiring must be in accordance with the National Electrical Code and local electrical codes. Electrical installation should be performed by a qualified licensed electrician.
3. **WARNING:** To reduce the risk of electrical shock and fire, do not use this fan with any solid-state fan speed control device.
4. **WARNING:** To reduce the risk of personal injury, use only the two steel screws (and lock washers) provided with the outlet box for mounting to the outlet box. Most outlet boxes commonly used for the support of lighting fixtures are not acceptable for fan support and may need to be replaced, consult a qualified electrician if in doubt.
8. Avoid placing objects in the path of the blades.
9. To avoid personal injury or damage to the fan and other items, be cautious when working around or cleaning the fan.
10. Do not use water or detergents when cleaning the fan or fan blades. A dry dust cloth or lightly dampened cloth will be suitable for most cleaning.
11. After making electrical connections, all wired connecting nuts should be turned upward and pushed carefully up into the outlet box. The wires should be spread apart so that the green and white wires are on one side of the outlet box and the black and blue wires are on the other side.
12. Electrical diagrams are for reference only. Light kits that are not packed with the fan must be UL Listed and marked suitable for use with the model fan you are installing. Switches must be UL General Use Switches. Refer to the Instructions packaged with the light kits and switches for proper assembly.

**WARNING**

TO REDUCE THE RISK OF FIRE, ELECTRIC SHOCK OR PERSONAL INJURY, MOUNT FAN TO OUTLET BOX MARKED ACCEPTABLE FOR FAN SUPPORT.

5. The outlet box and support structure must be securely mounted and capable of reliably supporting a minimum of 50 pounds. Use only UL Listed outlet boxes marked **FOR FAN SUPPORT**.
6. The fan must be mounted with a minimum of 7 feet clearance from the trailing edge of the blades to the floor.
7. Do not operate the reverse switch while the fan blades are in motion. The fan must be turned off and the blades stopped before reversing the blades direction.

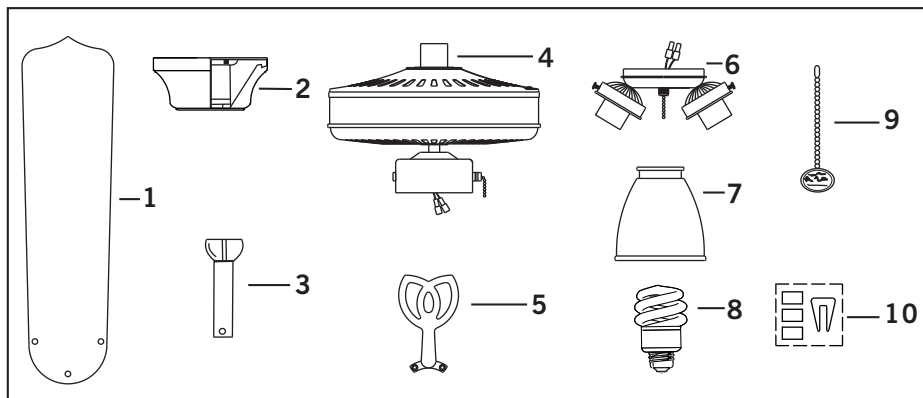
**WARNING**

TO REDUCE THE RISK OF PERSONAL INJURY, DO NOT BEND THE BLADE ARMS (ALSO REFERRED TO AS BRACKETS) DURING ASSEMBLY OR AFTER INSTALLATION. DO NOT INSERT OBJECTS IN THE PATH OF THE BLADES.

**NOTE**

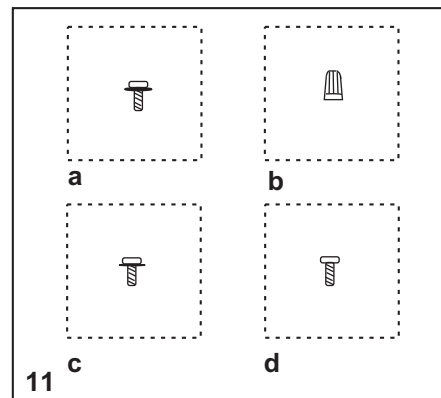
READ AND SAVE ALL INSTRUCTIONS!

# *1. Safety Rules*



Unpack your fan and check the contents. You should have the following items;

- |                          |  |
|--------------------------|--|
| 1. Fan blades (5)        | 6. Light kit                             |
| 2. Canopy assembly       | 7. Glass shades (3)                      |
| 3. Ball/downrod assembly | 8. 13 Watt compact fluorescent bulbs (3) |
| 4. Fan motor assembly    | 9. Pull chain and fobs (2)               |
| 5. Blade arms (5)        | 10. Balancing kit                        |



11. Loose parts bag containing:
- Blade attachment hardware (16 screws with fiber washers)
  - Electrical hardware (3 plastic wire connecting nuts)
  - Blade arm hardware (11 screws with lock washers)
  - Light kit hardware (1 screw)

**WARNING**

DO NOT INSTALL OR USE FAN  
IF ANY PART IS DAMAGED OR MISSING.  
CALL TOLL FREE 1-877-902-5588.

**NOTE**

FOR NON-LIGHT USE PURPOSE, THE SWITCH  
BOX COVER IS AVAILABLE BY CALLING THE  
TOLL FREE NUMBER 1-877-902-5588.

*Unpacking Your Fan 2.*

## Tools Required

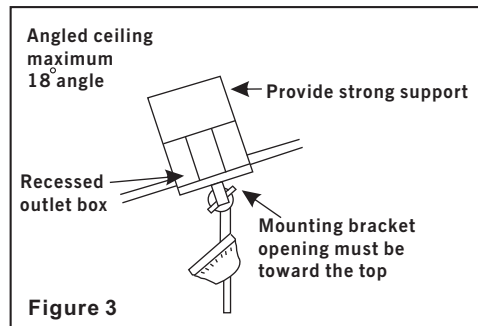
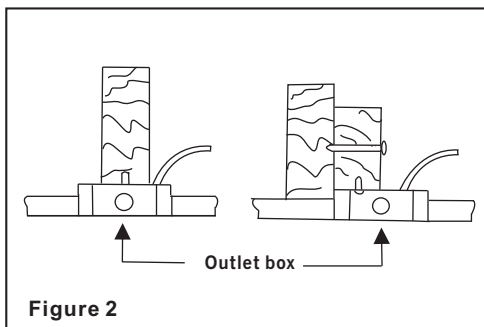
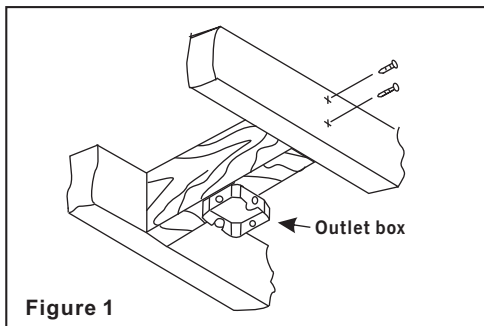
Phillips screwdriver, straight slot screwdriver, step ladder, and wire cutters.

## Mounting Options

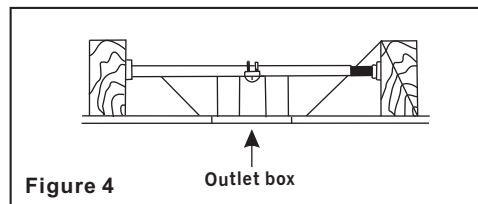
If there isn't an existing UL listed mounting box, then read the following instructions. Disconnect the power by removing fuses or turning off circuit breakers.

Secure the outlet box directly to the building structure. Use appropriate fasteners and building materials. The outlet box and its support must be able to fully support the moving weight of the fan (at least 50 lbs). Do not use plastic outlet boxes.

Figures 1,2 and 3 are examples of different ways to mount the outlet box.



**Note:** You may need a longer downrod to maintain proper blade clearance when installing on a steep, sloped ceiling.



To hang your fan where there is an existing fixture but no ceiling joist, you may need an installation hanger bar.(Fig.4) (available at any Home Depot store).

## 3. *Installing Your Fan*

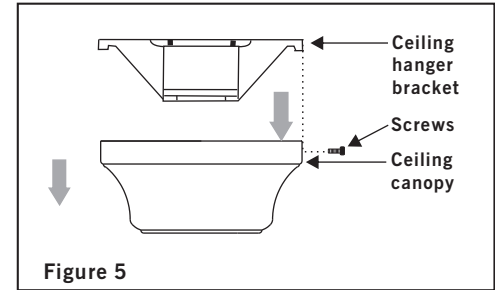
# Hanging the Fan

**REMEMBER** to turn off the power. Follow the steps below to hang your fan properly. **NOTE:** This ceiling fan is supplied with two types of hanging assemblies; the standard ceiling installation using the downrod with ball and socket mounting and the "flushmount" installation. The "flushmount" installation is recommended in rooms with less than 8-foot ceilings or in areas where additional space is desired from the floor to the fan blades. When using the standard 4 1/2" downrod, the distance from the ceiling to the bottom of the fan blades will be approximately 12 1/2 inches. Once you have selected which mounting system you will use, proceed with the following instructions. Where necessary, each section of the instructions will note the different procedures to follow for the two types of mounting.

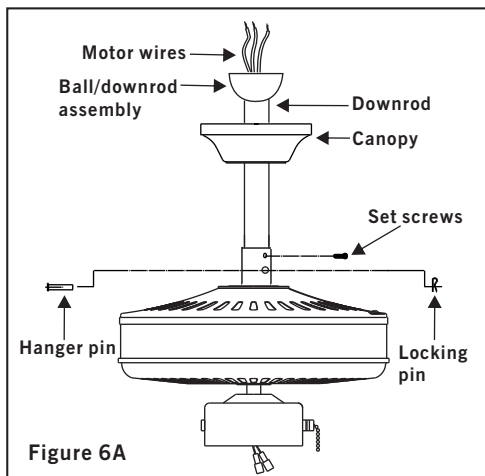
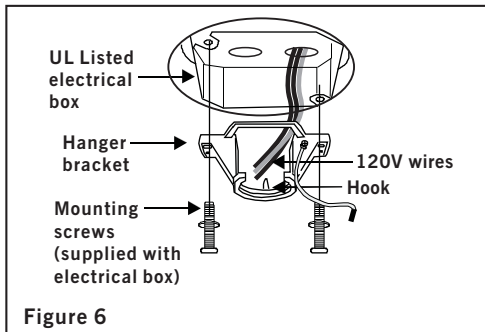
## STANDARD CEILING INSTALLATION

1. Remove the hanger bracket from the canopy by loosening the four screws on the top of the canopy. Remove the two non-slotted screws and loosen the slotted screws. This will enable you to remove the hanger bracket. (Fig. 5)

2. Secure the hanger bracket to the ceiling outlet box with the screws and washers provided with your outlet box.
3. Pass the 120-volt supply wires through the center hole in the ceiling hanger bracket as shown in Fig. 6.
4. Remove the hanger pin, lock pin and set screws from the top of the motor assembly.
5. Route the wires through the canopy and then through the ball/downrod assembly. (Fig. 6A)
6. Align the holes at the bottom of the downrod with the holes in the collar on top of the motor housing (Fig.6A). Carefully insert the hanger pin through the holes. In the collar and downrod be careful not to Jam the pin against the wiring inside the downrod. Insert the locking pin through the hole in locked position. (Fig. 6A)
7. Tighten two set screws at top of the fan motor collar firmly and evenly. (Fig. 6A)
8. Place the downrod ball into the hanger bracket socket. Rotate the downrod ball until the groove of the downrod ball lines up with the hook of the hanger bracket. (This will help balance the fan.)



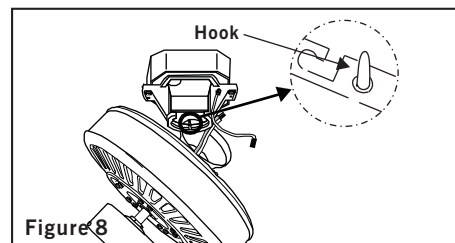
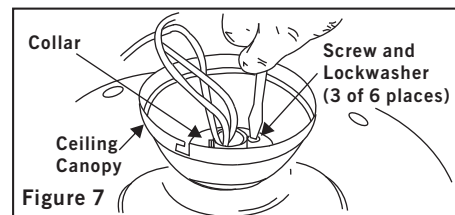
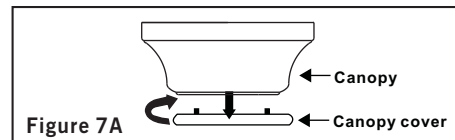
**WARNING**  
FAILURE TO PROPERLY INSTALL  
LOCKING PIN AS NOTED IN STEP 7  
COULD RESULT IN FAN LOOSENING  
AND POSSIBLY FALLING.



## FLUSHMOUNT INSTALLATION

1. Remove the hanger bracket from the canopy by loosening the four screws on the top of the canopy. Remove the two non-slotted screws and loosen the slotted screws. This will enable you to remove the hanger bracket. (Fig. 5)
2. Remove the decorative canopy bottom cover from the canopy by turning the canopy bottom cover counterclockwise. (Fig. 7A)
3. Secure the hanger bracket to the ceiling outlet box with the screws and washers provided with your outlet box.
4. Pass the 120-volt supply wires through the center hole in the ceiling hanger bracket as shown in Fig. 6.
5. Remove three of the six screws and lock washers (every other one) from the collar of top motor. (Fig. 7)
6. Place the ceiling canopy over the collar at the top of the motor. Align the mounting holes with the holes in the motor and fasten using the screws and lock washers provided (Fig. 7).
7. Tighten the mounting screws securely. (Fig. 7)

8. Hang the fan on the hook of the hanger bracket. Be certain that the canopy is fully locked into tab. (Fig. 8) This will allow you to make the electrical connections.



**WARNING**  
FAILURE TO COMPLETELY TIGHTEN THE THREE SCREWS IN STEP 7 COULD RESULT IN FAN LOOSENING AND POSSIBLY FALLING

5.



# Making the Electrical Connections

**Remember** to disconnect the power.

Follow the steps below to connect the fan to your household wiring. Use the wire connecting nuts supplied with your fan. Secure the connectors with electrical tape. Make sure there are no loose strands or connections.

**Step 1** Connect the fan supply (black) wire and light supply (blue) wire to the black household supply wire as shown in Figure 9.

**Step 2.** Connect the neutral fan (white) wire to the white neutral household wire.

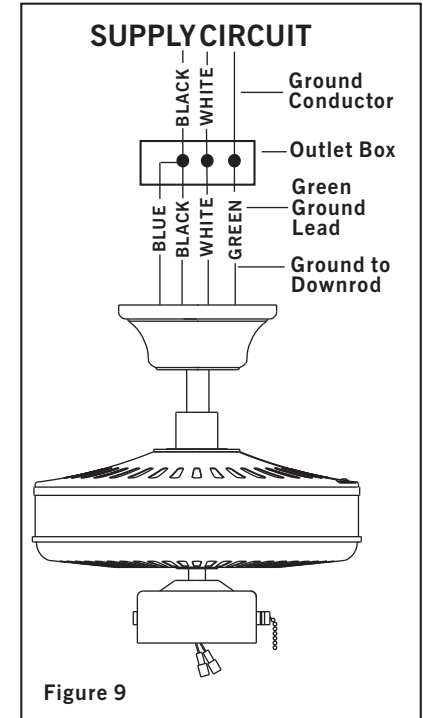
**Step 3** Connect the fan ground wire (green) to the household ground wire.

**Step 4** After connecting the wires, spread them apart so that the green and white wires are on one side of the outlet box and the black and the blue wires are on the other side.

**Step 5** Turn the connecting nuts upward and push the wiring into the outlet box.

## WARNING

TO REDUCE THE RISK OF FIRE, ELECTRIC SHOCK, OR OTHER PERSONAL INJURY. MOUNT FAN ONLY ON AN OUTLET BOX OR SUPPORTING SYSTEM MARKED ACCEPTABLE FOR FAN SUPPORT. TO REDUCE THE RISK OF FIRE OR ELECTRIC SHOCK. DO NOT USE THIS FAN WITH ANY SOLID-STATE SPEED CONTROL DEVICE.



# Finishing the Installation

## STANDARD CEILING INSTALLATION

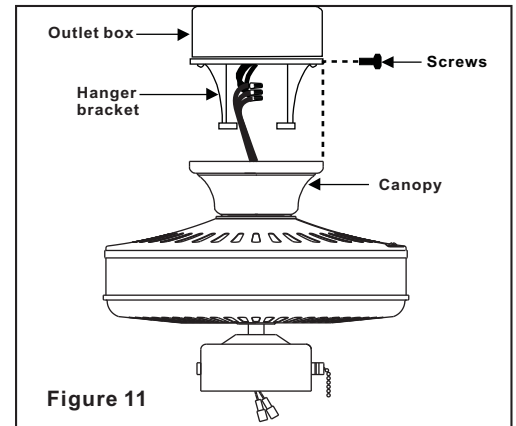
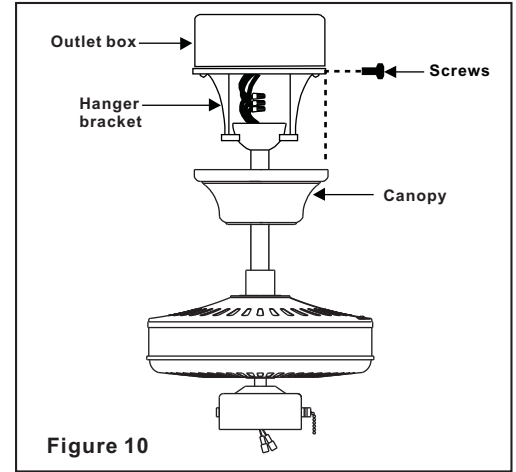
Slide canopy up to the ceiling as shown in Figure 10. Make sure you place the wires safely into the outlet box. Secure the canopy to the hanger bracket with the four screws with your fan.

### WARNING

Make sure the notch on the hanging bracket properly sits in the groove in the hanger ball before attaching the canopy to the bracket by turning the housing until it drops into place.

## FLUSHMOUNT INSTALLATION

Remove the fan from the hook on the hanger bracket. Secure the canopy to the hanger bracket with four screws included with your fan. (Fig. 11)



## Attaching the Fan Blades

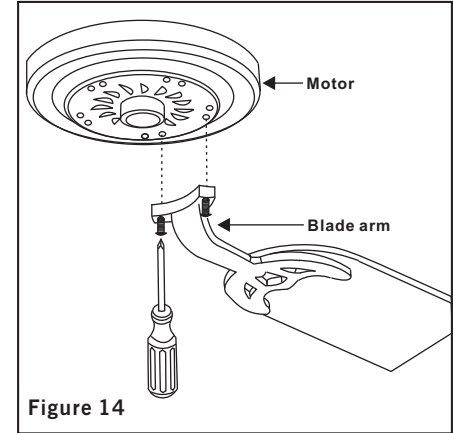
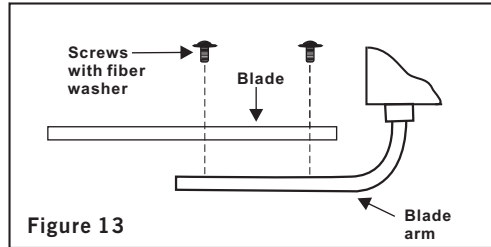
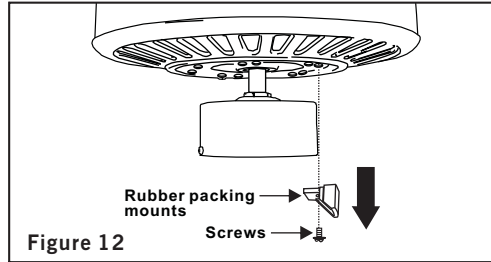
**CAUTION:** Remove 5 rubber packing mounts from fan motor assembly and discard before installation. (Fig. 12)

**Step 1** Attach blades to blade arms using three screws with fiber washers.(Fig. 13) Start a screw into the blade arm, do not tighten. Repeat for the 2 remaining screws and washers.

**Step 2** Tighten each screw securely starting with the center screw. Make sure the blade is straight. Repeat steps for the remaining blades.

**Step 3** Fasten the blade assemblies to the motor housing with the screws and washers already installed in the motor housing. (Fig. 14)

**WARNING**  
TO REDUCE THE RISK OF PERSONAL INJURY,  
DO NOT BEND THE BLADE ARMS WHILE  
INSTALLING, BALANCING THE BLADES, OR  
CLEANING THE FAN. DO NOT INSERT FOREIGN  
OBJECTS BETWEEN ROTATING FAN BLADES.



**NOTE:** Before starting installation, disconnect the power by turning off the circuit breaker or removing the fuse at fuse box. Turning power off using the fan switch is not sufficient to prevent electric shock.

1. While holding the light kit under your fan, locate two single white and blue wires in the switch housing labeled "FOR LIGHT". Make the polarized plug connections:
  - White to white
  - Blue to black
2. Carefully push all wires back into the switch housing. Attach the light kit fitter by aligning its keyhole slots with the three screw holes and the reverse switch on the side of the switch housing. Tighten the three screws securely to prevent the light kit from vibrating loose. (Fig. 15)
3. Mount the glass shades to the light fixture by unscrewing partway the thumbscrews on the glass holders, insert the glass, then gently tighten the thumbscrews by hand evenly to the glass. **DO NOT OVER TIGHTEN.** (Fig. 16)
4. Install 3 x 13 Watt compact fluorescent bulbs (included). **NOTE:** CFL bulbs are **NOT** dimmable.

**NOTE:** Light bulbs have no warranty; can be purchased at any Home Depot store.

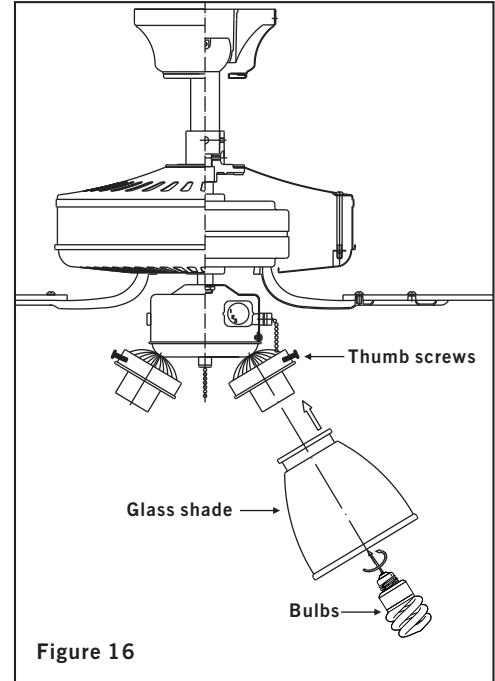
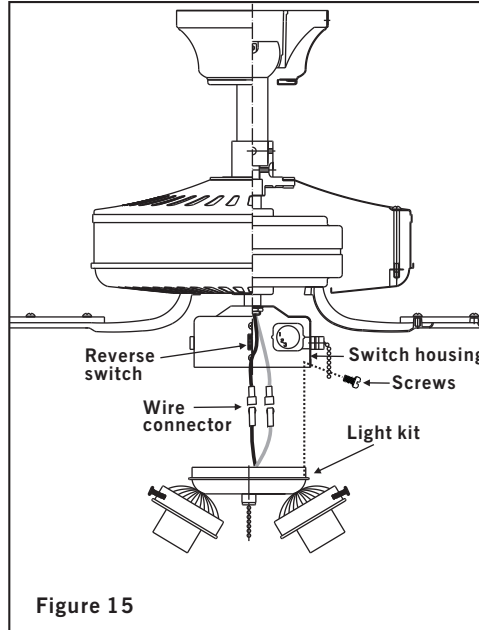


Figure 16

**NOTE**

FOR NON-LIGHT USE PURPOSE, THE SWITCH BOX COVER IS AVAILABLE BY CALLING THE TOLL FREE NUMBER 1-877-902-5588.

## 9. Installing the Light Kit

**NOTE**  
**WAIT FOR FAN TO STOP BEFORE**  
**CHANGING THE SETTING OF THE**  
**SLIDE SWITCH.**

Turn on the power and check the operation of your fan. There are two pull chains available in your fan:

1. 3-speed pull chain- it controls the fan speed as follows: 1 pull- High, 2 pulls- Medium, 3 pulls- Low, and 4 pulls- Off.

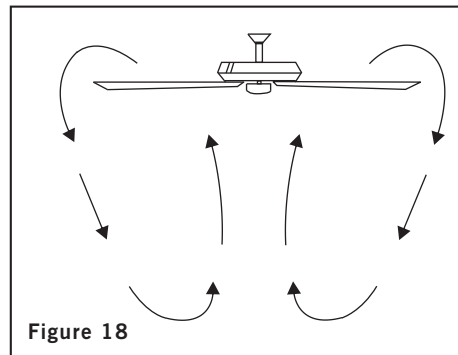
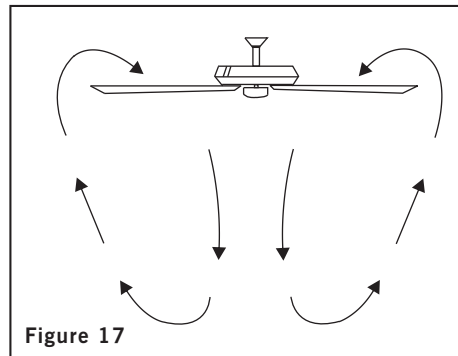
Speed settings for warm or cool weather depend on factors such as the room size, ceiling height, number of fans, and so on.

2. Light kit pull chain- it controls the light kit in "ON" or "OFF".

The slide switch controls directions: forward (switch down) or reverse (switch up).

Warm weather -(Counter-Clockwise direction) A downward air flow creates a cooling effect.(Fig. 17) This allows you to set your air conditioner on a higher setting without affecting your comfort.

Cool weather -(Clockwise direction) An upward airflow moves warm air off the ceiling area. (Fig. 18) This allows you to set your heating unit on a lower setting without affecting your comfort.



*Operating Your Fan 10.*

Here are some suggestions to help you maintain your fan

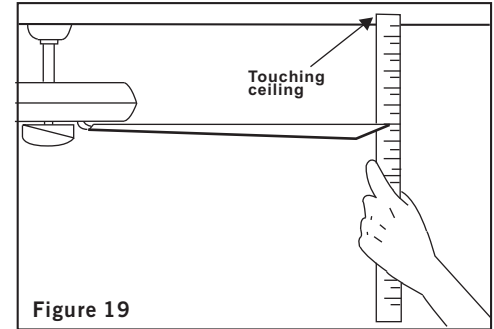
1. Because of the fan's natural movement, some connections may become loose. **Check the support connections, brackets, and blade attachments twice a year.** Make sure they are secure. **(It is not necessary to remove fan from ceiling.)**

2. Clean your fan periodically to help maintain its new appearance over the years. Use only a soft brush or lint-free cloth to avoid scratching the finish. The plating is sealed with a lacquer to minimize discoloration or tarnishing. Do not use water when cleaning. This could damage the motor, or the wood, or possibly cause an electrical shock.

3. You can apply a light coat of furniture polish to the wood blades for additional protection and enhanced beauty. Cover small scratches with a light application of shoe polish.

4. **There is no need to oil your fan.** The motor has permanently lubricated bearings.

**IMPORTANT**  
MAKE SURE THE POWER IS OFF AT THE ELECTRICAL PANEL BOX BEFORE YOU ATTEMPT ANY REPAIRS. REFER TO THE SECTION "MAKING ELECTRICAL CONNECTIONS"



## *11. Care of Your Fan*

## Problem

## Solution

Fan will not start.

1. Check circuit fuses or breakers.
2. Check line wire connections to the fan and switch wire connections in the switch housing.  
**CAUTION:** Make sure main power is off.

Fan sounds noisy.

1. Make sure all motor housing screws are snug.
2. Make sure the screws that attach the fan blade bracket to the motor hub is tight.
3. Make sure wire nut connections are not rubbing against each other or the interior wall of the switch housing.  
**CAUTION:** Make sure main power is off.
4. Allow a 24-hour "breaking-in" period. Most noise associated with a new fan disappear during this time.
5. If using an optional light kit, make sure the screws securing the glassware are tight. Check that the light bulb is also secure.
6. Some fan motors are sensitive to signals from solid-state variable speed controls. If you have installed this type of control, choose and install another type of control.
7. Make sure the upper canopy is a short distance from the ceiling. It should not touch the ceiling.

Fan wobble.

1. Check that all blade and blade arm screws are secure.
2. Most fan wobbling problems are caused when blade levels are unequal. Check this level by selecting a point on the ceiling above the tip of one of the blades. Measure this distance.(Fig. 19) Rotate the fan until the next blade is positioned for measurement. Repeat for each blade. The distance deviation should be equal within 1/8".
3. Use the enclosed Blade Balancing Kit if the blade wobble is still noticeable.
4. If the blade wobble is still noticeable, interchanging two adjacent (side by side) blades can redistribute the weight and possibly result in smoother operation.

**WARNING: TO REDUCE THE RISK OF PERSONAL INJURY, DO NOT BEND THE BLADE ARM WHILE INSTALLING, BALANCING THE BLADES, OR CLEANING THE FAN. DO NOT INSERT FOREIGN OBJECTS BETWEEN ROTATING FAN BLADES.**

*Troubleshooting 12.*

Fan Size	Speed	Volts	Amps	Watts	RPM	CFM	N.W.	G.W.	C.F.
52"	Low	120	0.24	13.7	75	1802.93	7.74 kgs (17.07 lbs)	8.49 kgs (18.73 lbs)	1.70'
	Medium	120	0.34	27	114	2859.55			
	High	120	0.48	58	174	4468.79			

These are approximate measures. They do not include Amps and Wattage used by the light kit.

Distributed by Home Depot U.S.A., Inc.  
2455 Paces Ferry Rd. N.W.  
Atlanta, Georgia 30339

## *13. Specifications*